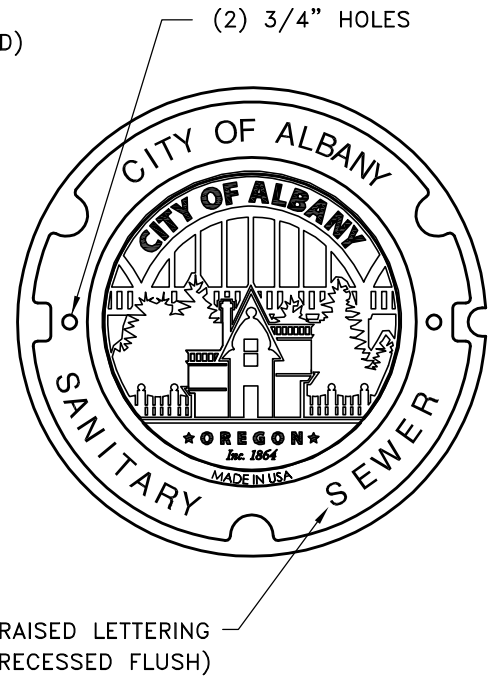
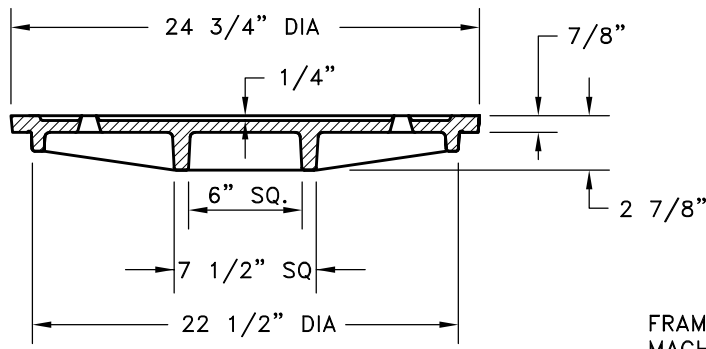


STORM SEWER

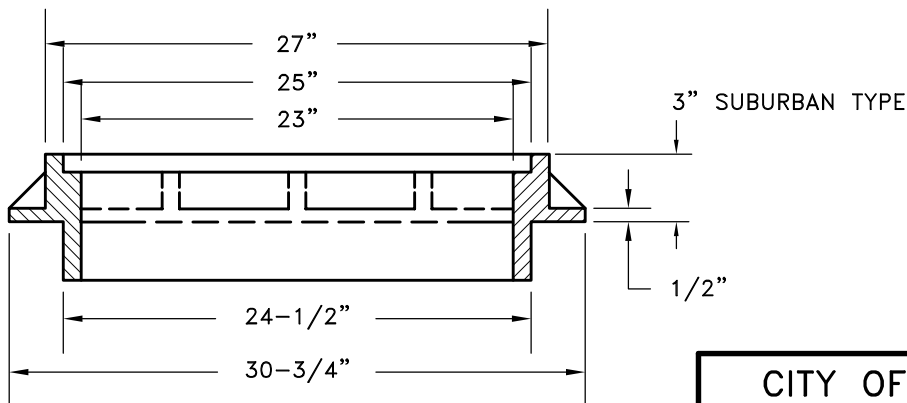


SANITARY SEWER



SECTION

FRAME AND COVER ASSEMBLY SHALL BE MACHINED AS NECESSARY TO PREVENT MOVEMENT OF THE COVER WITHIN THE FRAME UNDER TRAFFIC LOADS.



**CITY OF ALBANY, OREGON
PUBLIC WORKS DEPARTMENT**

**STANDARD
MANHOLE FRAME & COVER**

NO SCALE

JULY 2019

NO. 407